

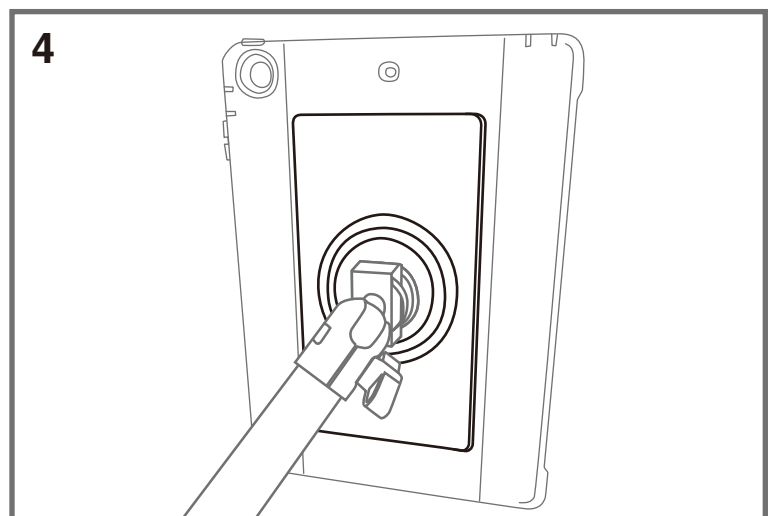
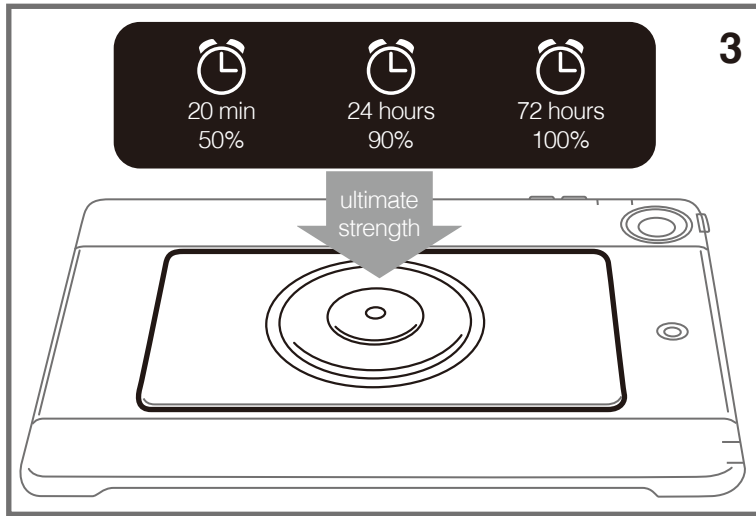
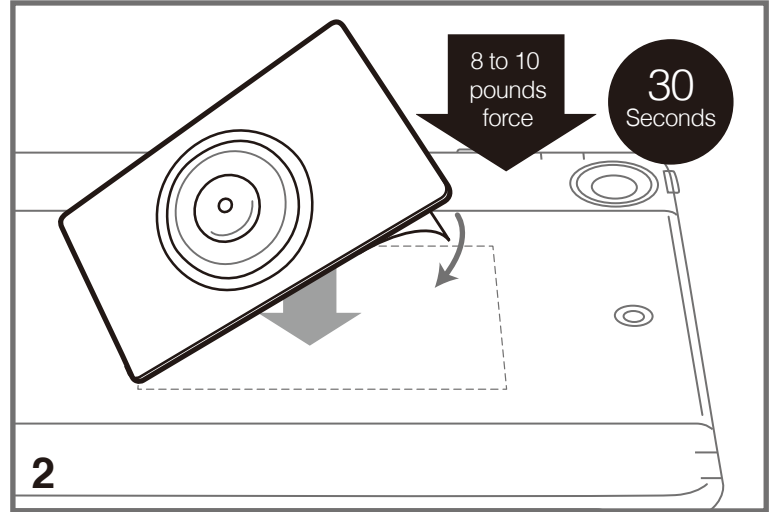
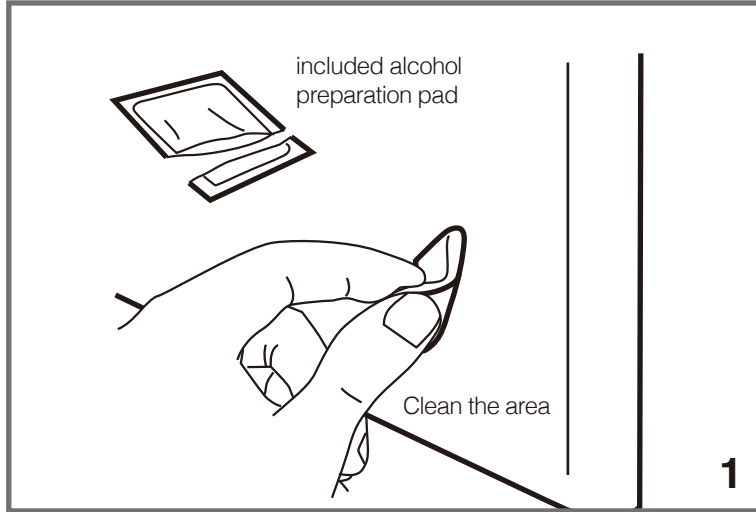
MagConnect Universal Tablet Module



Installation Guide

Most surfaces are best prepared by cleaning with the included alcohol pad prior to applying the MagConnect Universal Tablet Module. Exceptions to this general procedure that may require additional surface preparation. A degreaser or solvent-based cleaner may be required to remove heavy oil or grease from a surface and should be followed by cleaning with rubbing alcohol 70-75% and completely dry it with a soft micro fiber cloth. Some cases might have porous surface materials such as cloth or leather. Such surfaces might not work well with the MagConnect Universal Tablet Module.

Installation



Technical Information

| | |
|-------------------------------------|----------------------------------|
| Adhesive Type | General Purpose Acrylic Adhesive |
| Adhesion Type | Semi-Permanent |
| Application Temperature-Environment | 50 Degrees Fahrenheit |
| Brand | 3M™ VHB™ 4910 |
| Color | Clear |

| | |
|-------------------|---------------------|
| Adhesive Strength | Industrial Strength |
| Length | 6" 5/8 |
| Width | 3" 7/8 |
| Tape Thickness | 0.040 in (1.0mm) |

Disclaimer

THE JOY FACTORY, INC. ("THE JOY FACTORY") warrants only to the original purchaser of this product from The Joy Factory-authorized reseller or distributor that this product will be free from defects in material and workmanship under normal use and service for one year after date of purchase. Purchaser must make claim to The Joy Factory within 30 days of occurrence, and must present acceptable proof of original ownership (such as original receipt, warranty card registration, on-line registration, or other documentation The Joy Factory deems acceptable) for the product. The Joy Factory, at its option, shall repair or replace the defective unit covered by this warranty. Please retain the dated sales receipt as evidence of the original purchaser's date of purchase. You will need it for any warranty service. In order to keep this limited warranty in effect, the product must have been handled and used as prescribed in the instructions accompanying this warranty. This limited warranty does not cover any damage due to accident, misuse, abuse or negligence. This limited warranty is valid only if the product is used with the equipment specified on the product box. Please check product box for details or call The Joy Factory technical support. The Joy Factory will replace your MagConnect Universal Tablet Module if it has any manufacturing defects, free of charge. If you believe your product has a manufacturing defect, cease use immediately and contact The Joy Factory by email at support@thejoyfactory.com or by telephone at (949) 216-8888, Monday through Friday, 9:00 a.m. to 5:00 p.m., Pacific Time. Unfortunately, The Joy Factory is not able to replace or pay for replacement of tablets, smartphones, or any additional items, which may be damaged from use of the MagConnect Universal Tablet Module with manufacturing defects.

DISCLAIMER OF WARRANTY

EXCEPT FOR THE LIMITED WARRANTY PROVIDED HEREIN, TO THE EXTENT PERMITTED BY LAW, THE JOY FACTORY DISCLAIMS ALL WARRANTIES, EXPRESS OR IMPLIED, INCLUDING ALL WARRANTIES OF MERCHANTABILITY AND/OR FITNESS FOR A PARTICULAR PURPOSE. TO THE EXTENT THAT ANY IMPLIED WARRANTIES MAY NONETHELESS EXIST BY OPERATION OF LAW, ANY SUCH WARRANTIES ARE LIMITED TO THE DURATION OF THIS WARRANTY. SOME STATES/PROVINCES DO NOT ALLOW LIMITATIONS ON HOW LONG AN IMPLIED WARRANTY LASTS, SO THE ABOVE LIMITATIONS MAYNOT APPLY TO YOU.

LIMITATION OF LIABILITY

REPAIR OR REPLACEMENT OF THIS PRODUCT, AS PROVIDED HEREIN, IS YOUR EXCLUSIVE REMEDY. THE JOY FACTORY SHALL NOT BE LIABLE FOR ANY SPECIAL, INCIDENTAL OR CONSEQUENTIAL DAMAGES, INCLUDING, BUT NOT LIMITED TO, LOST REVENUES, LOST PROFITS, LOSS OF USE OF SOFTWARE, LOSS OR RECOVERY OF DATA, RENTAL OF REPLACEMENT EQUIPMENT, DOWNTIME, DAMAGE TO PROPERTY, AND THIRD-PARTY CLAIMS, ARISING OUT OF ANY THEORY OF RECOVERY, INCLUDING WARRANTY, CONTRACT, STATUTORY OR TORT. NOTWITHSTANDING THE TERM OF ANY LIMITED WARRANTY OR ANY WARRANTY IMPLIED BY LAW, OR IN THE EVENT THAT ANY LIMITED WARRANTY FAILS OF ITS ESSENTIAL PURPOSE, IN NO EVENT WILL THE JOY FACTORY'S ENTIRE LIABILITY EXCEED THE PURCHASE PRICE OF THIS PRODUCT. SOME STATES/PROVINCES DO NOT ALLOW THE EXCLUSION OR LIMITATION OF INCIDENTAL OR CONSEQUENTIAL DAMAGES, SO THE ABOVE LIMITATION OR EXCLUSION MAYNOT APPLY TO YOU. THIS WARRANTY GIVES YOU SPECIFIC LEGAL RIGHTS AND YOU MAY ALSO HAVE OTHER RIGHTS THAT VARY FROM STATE TO STATE AND PROVINCE TO PROVINCE.