



MOBILE ELECTRONICS PRO-SERIES

Universal Tablet Headrest Mount

iPAD + TABLET HEADREST MOUNTING HARDWARE



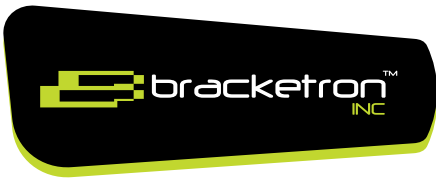
The Universal Tablet Headrest Mount is the ideal rear seat accessory for mounting your iPad or tablet for backseat passenger use when you're on the go.

The portable mount securely holds your device for easy viewing and interaction on the road. The mount can be easily removed and stowed or taken with you for use in another vehicle.

FEATURES

- Innovative design allows for adjustable viewing angles in portrait or landscape modes
- Low-profile mount safely and securely holds your device while allowing full access to all device buttons and controls
- Sturdy mount clasps securely to the driver or passenger headrest posts
- Portable construction for easy storage or transport between vehicles

MODEL NO: IPD-362-BX



MOBILE ELECTRONICS PRO-SERIES

Universal Tablet Headrest Mount

iPAD + TABLET HEADREST MOUNTING HARDWARE



UNIVERSAL



iPAD & TABLET



PORTABLE



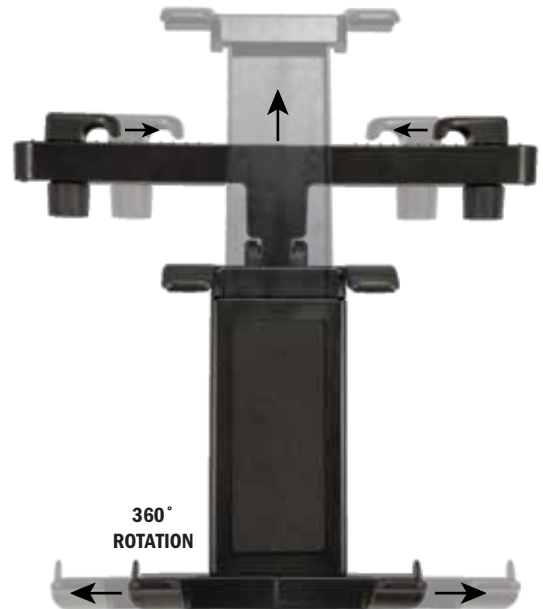
HEADREST

THE UNIVERSAL HEADREST MOUNT FEATURES STRONG, PORTABLE CONSTRUCTION FOR SAFELY AND SECURELY MOUNTING YOUR TABLET IN YOUR VEHICLE.

The headrest mount's innovative design allows for easy angle and orientation adjustments for optimal passenger viewing and interaction while traveling.



ADJUSTABLE VIEWING ANGLES



360° ROTATION

FITS TABLETS FROM 4.5" TO 7.75" WIDE AND 5.5" TO 11" TALL

PRODUCT SPECIFICATIONS

MODEL NO: IPD-362-BX

PRODUCT DESCRIPTION: Universal Tablet Headrest Mount

UPC NUMBER:

MASTER PACK DIMENSIONS:

MASTER PACK:

MASTER WEIGHT:

INNER PACK DIMENSIONS:

INNER PACK:

INNER WEIGHT:

INDIVIDUAL PACKAGED DIMENSIONS:

INDIVIDUAL PACKAGED WEIGHT:



5624 Lincoln Drive
Edina, MN 55436
Toll Free: 1.866.237.4443
Web: www.bracketron.com
©2011 Bracketron, Inc.,
All Rights Reserved
All trade names and logos are
registered trademarks of respective
manufacturers listed.
10/25/11