



GPCAMCHST



SPGP1420

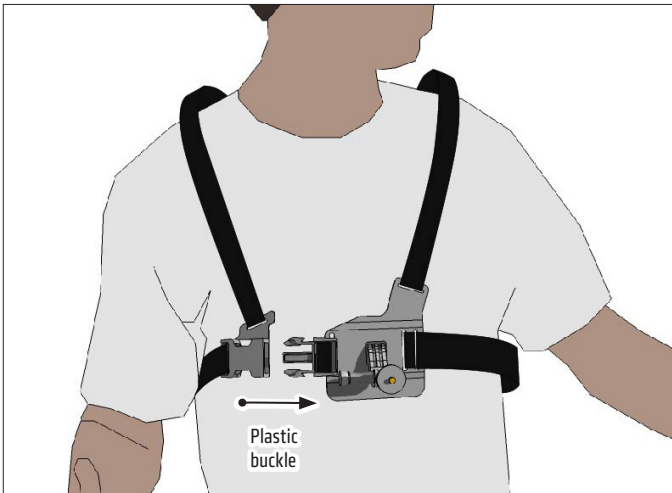
Package Contents:

- 1 GPCAMCHST – Chest Strap Mount
- 1 SPGP1420 – GoPro to 1/4"-20 Adapter

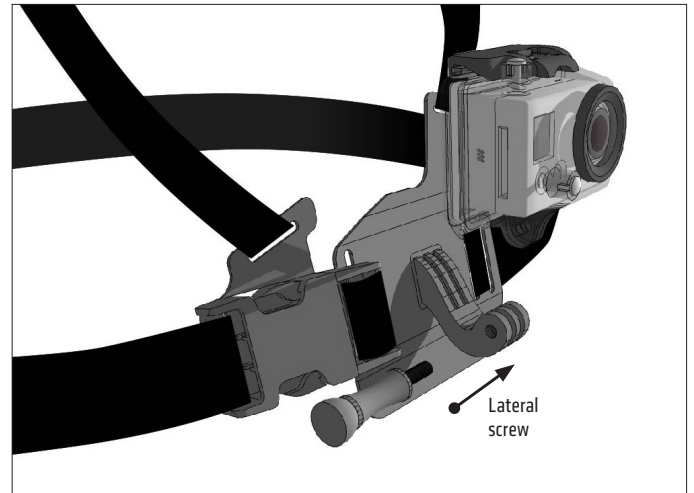
Device Compatibility:

GoPro® HERO®3+, GoPro HERO3, HERO2, and other GoPro models. Other small digital cameras with the standard 1/4"-20 camera pattern, including the Sony Action Cam, Sony POV HD Flash Memory Camcorder, Contour ROAM2, JVC ADIXXION, and JVC ADIXXION Cam 2.

- 1 Insert arms through loopholes and fasten mount to chest with the heavy-duty side release plastic buckle. Adjust torso, shoulder, and back buckles as needed.

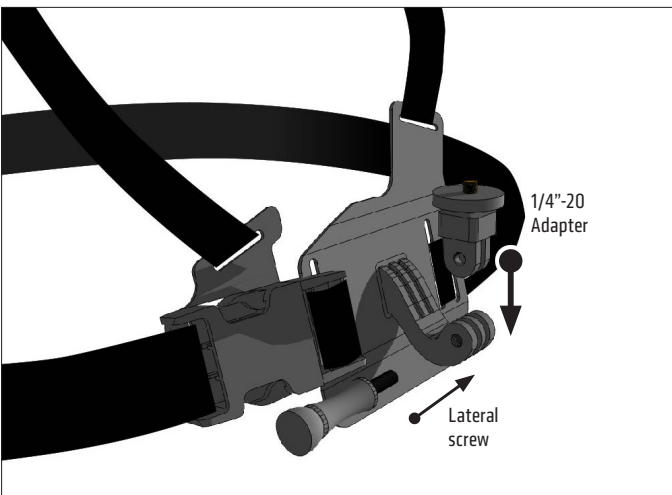


- 2 Unscrew lateral screw, then insert GoPro camera and then tighten screw to secure.



Using the 1/4"-20 Adapter:

- 1 Unscrew lateral screw. Insert adapter and re-insert lateral screw to secure.



- 2 Attach camera to the adapter by screwing it onto the 1/4"-20 mounting pattern.



Safety Precautions

Arkon is not responsible for any damages caused to your device or yourself due to the installation or use of the mount.

GoPro® and HERO® are trademarks or registered trademarks of Woodman Labs, Inc. in the United States and other countries.



The Mobile Mounting Specialists™

Consumer Hotline:

USA (800) 841-0884

INT'L (626) 254-9005

Monday - Friday 9 am - 5 pm, PST

www.arkon.com

Arcadia, CA 91006 USA

Designed in USA | Made in China

© Copyright 2014 Arkon Resources, Inc.